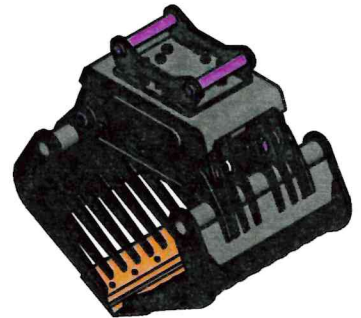
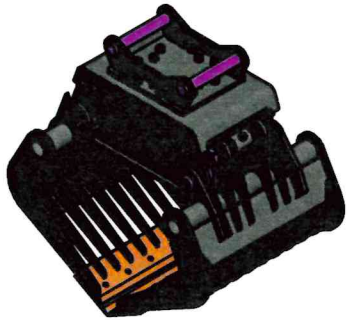
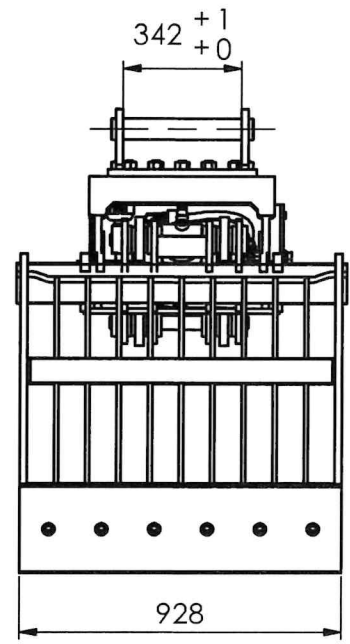
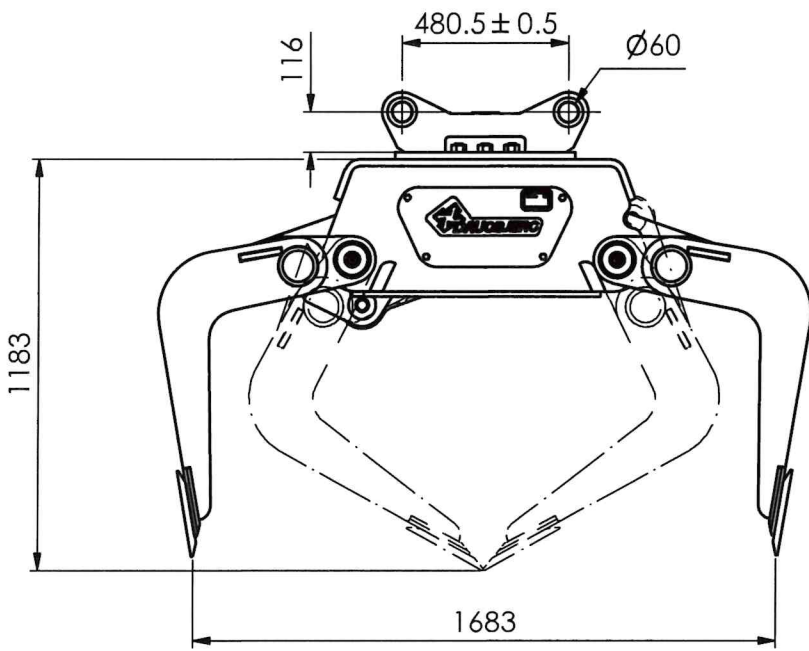


8 7 6 5 4 3 2 1

D
C
B
A



VERGA CE	
PART CODE	VG-SG-1014
CAPACITY	1683mm Opening
SERIAL NO	19000XX
YEAR	2019
Read the manual	

NAME PLATE DETAILS

A	REFERENCE DRAFT ONLY.	MATERIAL SPECIFICATION								GENERAL TOLERANCE - ISO 2768-mk WELDED CONSTRUCTION - EN ISO 13920-B UNLESS OTHERWISE STATED ALL DIMENSIONS ARE IN MILLIMETER MARKED DIMENSIONS ARE CTQ DIMENSIONS W/O TOL ARE BASIC	 SHEET 1 OF 1 SCALE 1 / 20	 VERGA ATTACHMENTS PVT. LTD. INDIA DESCRIPTION SELECTOR GRAB- (10 -14 ton)	A
	NOT FOR PRODUCTION RELEASE.		ST52.3							MATERIAL			
			EN8D							GRADE		REVISION NO. 00	
			HB 400							APPROX. WEIGHT	939.182 kg	REVISION DATE 20-01-2021	
			HB 450							MODEL NO.			
			HB 500							STRUCK CAPACITY			
			WELDOX 650							HEAPED CAPACITY			
			WELDOX 700	00	BASE DRAWING	20-01-2021	AMIT			MACHINE CLASS			
			CASALLOY STEEL	REV. NO.	REVISION HISTORY	DATE	DRAFTED BY						

8 7 6 5 4 3 2 1

THIS DOCUMENT AND REFERENCED INFORMATION ARE PROPRIETARY DATA OF VERGA ATTACHMENTS PRIVATE LIMITED. UNAUTHORIZED ACCESS, RE PRODUCTION & USAGE IS PROHIBITED. GOVERNED BY COPYRIGHT INFRINGEMENT LAWS.